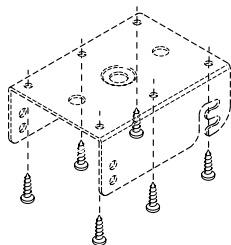


**1** A x 6



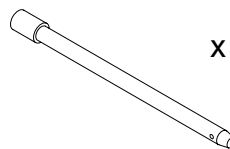
+ 18mm

**A**



x 6

**B**



x 1

**C**



x 1

**D**

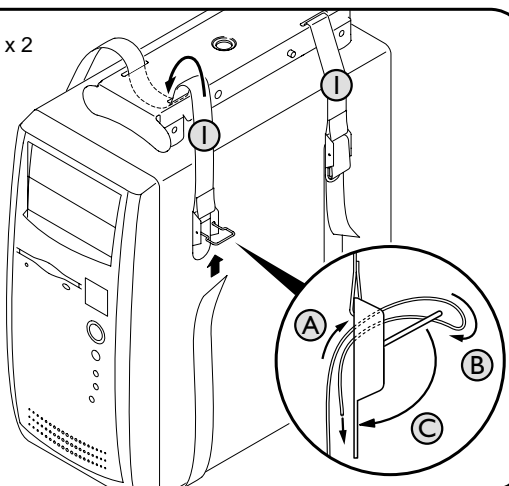


x 2

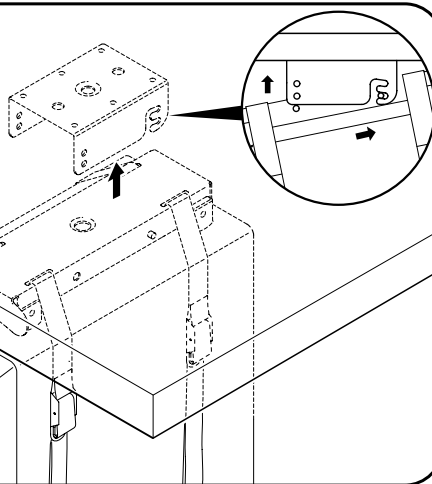
CPUH-004

revision 2

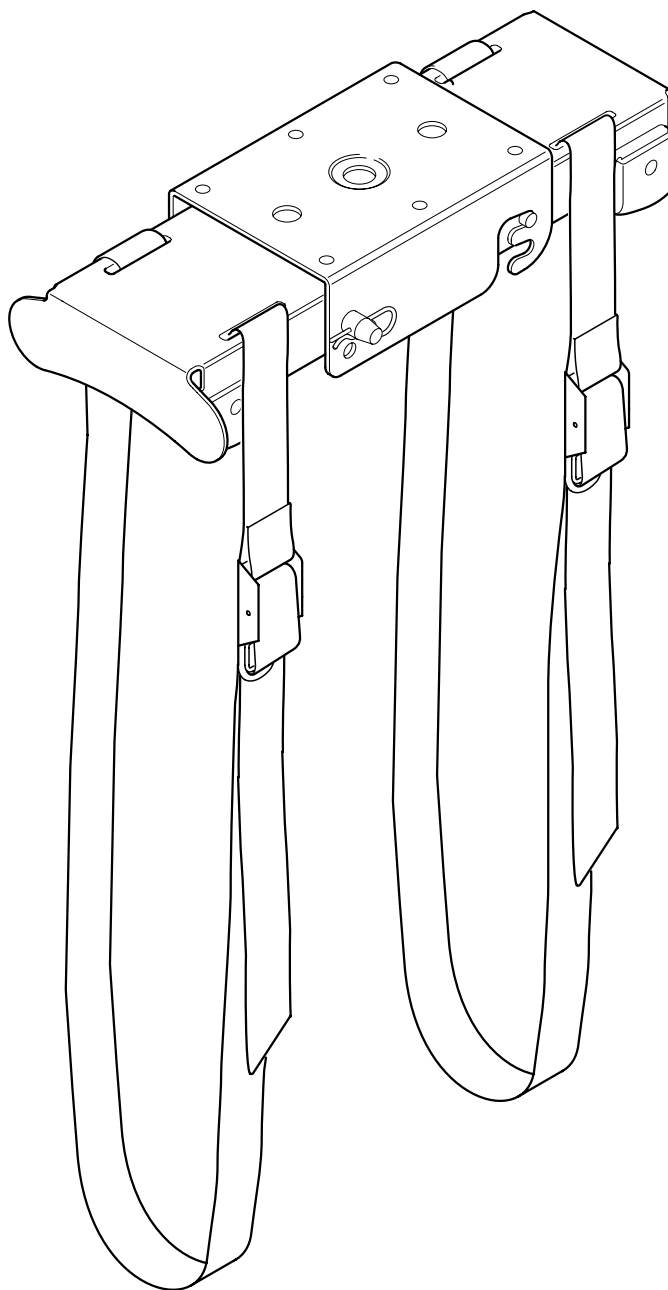
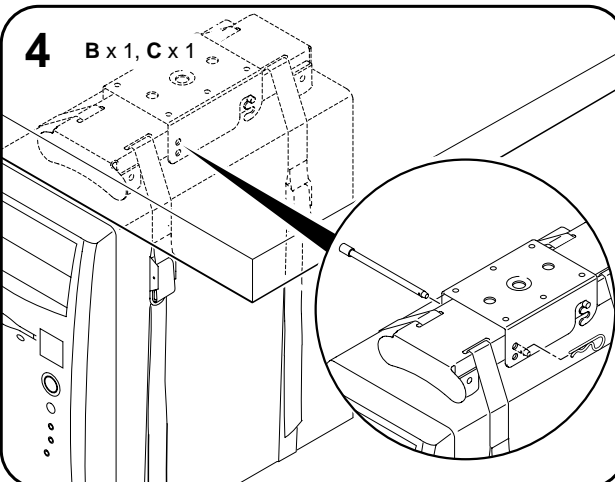
**2** D x 2



**3**



**4** B x 1, C x 1



Accuride International Limited  
Liliput Road Brackmills Industrial Estate  
Northampton NN4 7AS United Kingdom.  
Telephone: +44 (0) 1604 761111  
Fax: +44 (0) 1604 767190  
E-mail: [saleseurope@accuride.com](mailto:saleseurope@accuride.com)

**izon**  
by Accuride